

1. Intended use:

The RACK 19" cabinet enables integrating CCTV, AC, I&HAS, RTV, LAN, or other systems in medium and big companies. It is intended for devices manufactured in enclosures of the 19" standard. Due to the RACK cabinets, the devices are aesthetically mounted and protected against mechanical damage.

2. Specifications:

SPECIFICATIONS	
Mounting dimensions:	W=19", H=42U, D=597mm
External dimensions:	W=600, H=2055, D=800 [mm, +/-2]
Net/gross weight:	104,5 / 112,1 [kg]
Materials:	<ul style="list-style-type: none"> - RACK mounting rails: cold-rolled steel SPCC 2mm - bolted - horizontal mounting rails: cold-rolled steel SPCC 1,5mm - bolted - frame: cold-rolled steel SPCC 1,2mm RAL 9004 - welded - front door: 5mm toughened glass / SPCC 1,2mm RAL 9004 - hinged - side panel: cold-rolled steel SPCC 1,2mm RAL 9004 - removable - rear door: cold-rolled steel SPCC 1,2mm RAL 9004 - hinged
Static load:	800 kg (with leveling feet)
Use:	inside, IP20
Notes:	<ul style="list-style-type: none"> - adjustable distance between front and rear RACK rails - ventilation holes in the front door, top and bottom panel - possible mounting of a fan unit in the top panels - RAWP (max. 3 pcs.) - cable ducts in the top and bottom panel - 4 casters without locks and 4 leveling feet included - possible assembly of a 100mm high plinth - RAC168 - lockable front door (2 keys in set) - lockable rear door (2 keys in set) - side panel - lock assembly possible - RAZB16 - ready-to-assemble
Declarations, warranty:	RoHS, 12 months from the date of purchase

3. Structure of the RACK cabinet.



4. Components

Number	Component	Amount	Foto	Number	Component	Amount	Foto
1	Top panel	1 pcs.		13	Side door distance	4 pcs.	
2	Bottom panel	1 pcs.		14	"2" wheel without lock"	4 pcs.	
3	Front doors	1 pcs.		15	Leveling foot	4 pcs.	
4	Rear door	1 pcs.		16	M8x12 Head Cap Screw	16 pcs.	
5	Side panel	2 pcs.		17	M8 nut	16 pcs.	
6	Cabinet frame	2 pcs.		18	10mm Torx (silver)	73 pcs.	
7	Horizontal rail	6 pcs.		19	10mm Torx (black)	33 pcs.	
8	RACK 19" 42U rail	4 pcs.		20	M5 nut, spring washer	2 pcs.	
9	Cable gland end cup (upper)	2 pcs.		21	Spacer for front/rear doors	2 pcs.	
10	Cable gland end cup (lower)	2 pcs.		22	M6x12 Phillips screw	44 pcs.	
11	Lock - rear doors	1 pcs.		23	M6 nut („cage nut")	44 pcs.	
12	Lock - front doors	1 pcs.		24	Plastic washer	44 pcs.	
				25	Torx /hex key	1 pcs.	

5. Assembling instructions of RACK:

The free standing, ready-to-assemble RACK cabinet is delivered in 5 separate packages.

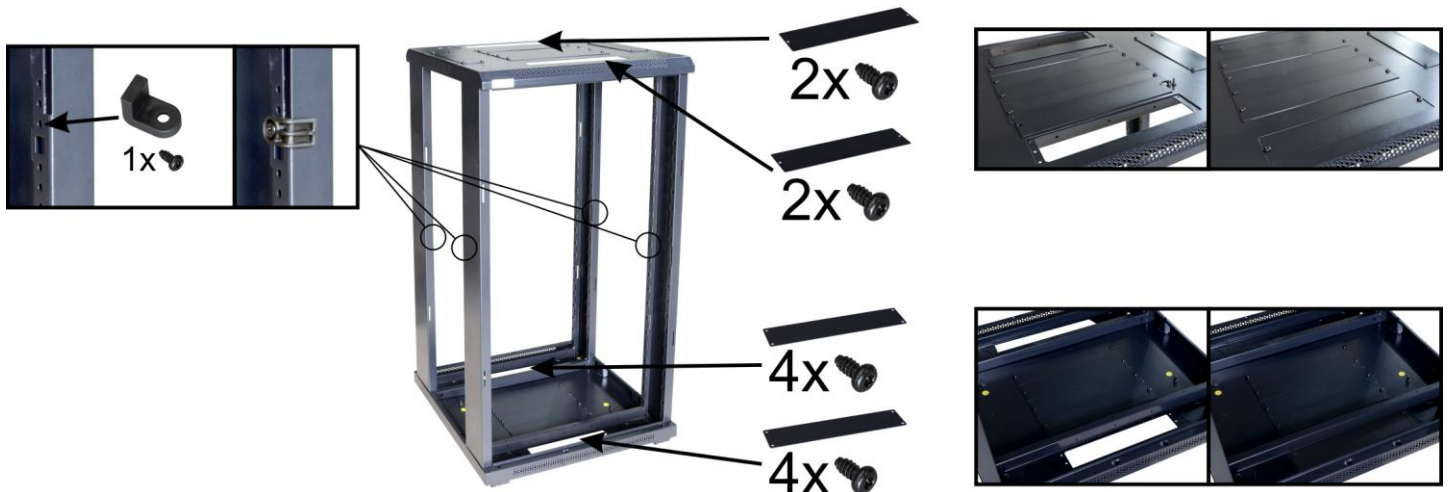
5.1) Place horizontally two RACK cabinet frames with both top and bottom plates. Pay attention to the grounding in the frame - as shown in the drawing



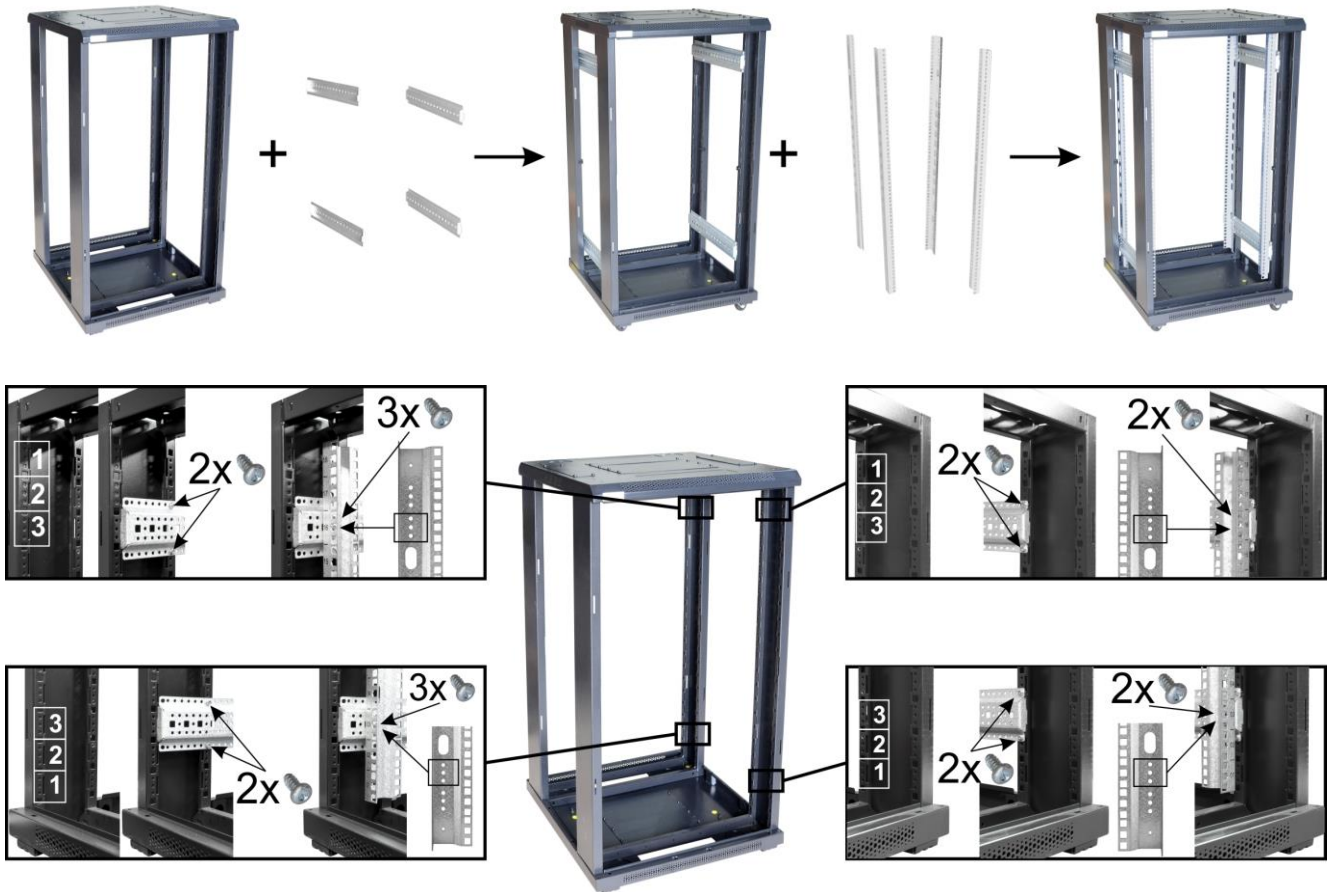
5.2) Mount the top plate and bottom plate to the left and right frames of the RACK cabinet, respectively. Use M8X12 Head Cap Screws with M8 nuts (16pcs). Screw the cabinet **wheels** and **legs** to the bottom plate of the cabinet.



5.3) Place the RACK cabinet vertically and mount:
- Cable gland end cups (up and down) – Torx screw 10mm (black) - 12pcs
- Side door distance - Torx screw 10mm (black) - 4pcs.



5.4) Inside the cabinet, install the cross profiles and RACK profiles from the inside (front and rear), as shown in the figure below.



5.5) Installation of locks

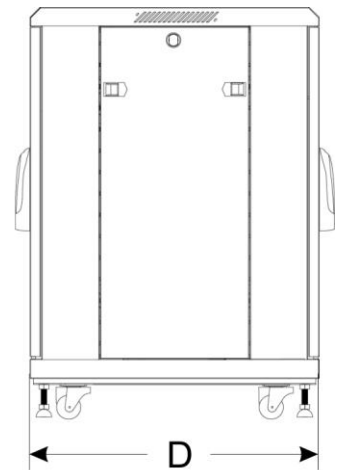
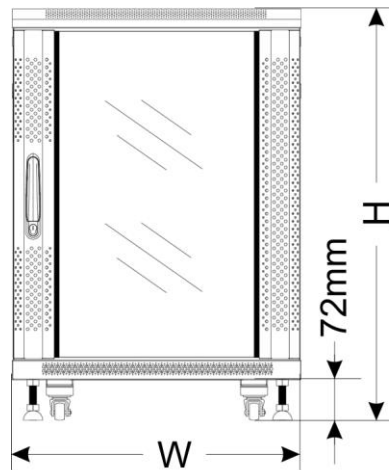
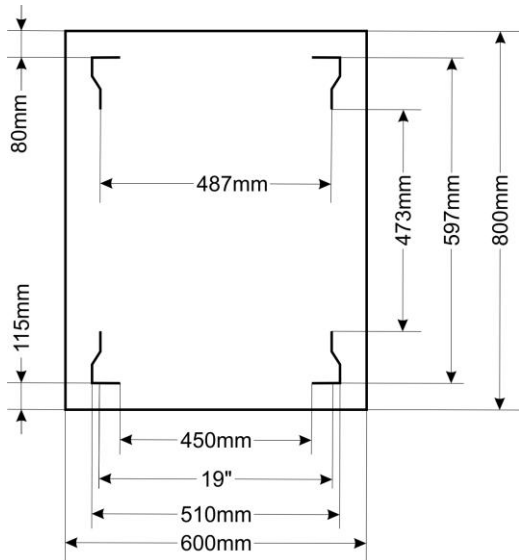
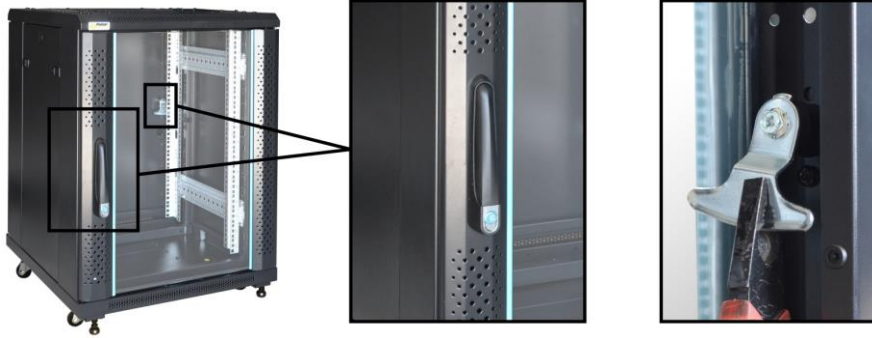
Install locks in the front and rear doors - Torx screw 10mm (black) 4 pcs. - as shown below.



5.6) Installation of front, rear, and side doors



5.7) Door adjustment - use the tools to adjust the front and rear doors.



MANUFACTURER

Pulsar

Siedlec 150,
32-744 Łapczyca

Tel. 14-610-19-40, Fax. 14-610-19-50

e-mail: biuro@pulsar.pl, sales@pulsar.pl

http:// www.pulsar.pl, www.zasilacze.pl