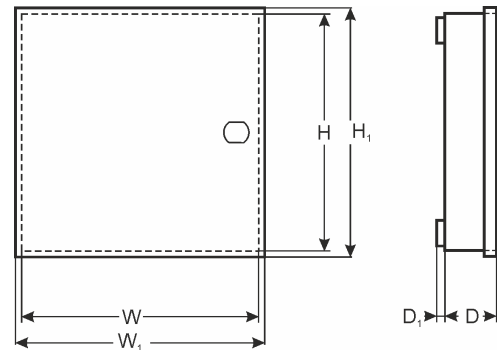


CODE: **AWO256PU** v.1.1/III  
 NAME: **17/50/SATEL/PUSTA**



## DESTINATION

### SATEL:

- 1) CA6,10, VERSA 5,10,15, INTEGRA 24,32 + 4x CA10E ( CA64E, SM, MST1)
- 2) CA6,10, VERSA 5,10,15, INTEGRA 24, 32 + 3 x CA10E ( CA64E, SM, MST1) + CA64 ( EPS, O-OC, O- ROC, O-R, VGM- 16, SR, ADR, ACC-KP-PS)
- 3) CA6, 10, VERSA 5,10,15, INTEGRA 24, 32 + CA64 ( E, SM, MST1) + 2 x CA64 ( EPS, O-OC, O-ROC, O-R, VGM- 16, SR, ADR, ACC- KP- PS)
- 4) INTEGRA 64, 128 + 3 x CA64E ( CA10E, SM, MST1)
- 5) INTEGRA 64, 128 + CA64E ( CA10E, SM, MST1) + CA64 ( EPS, O- OC, O-ROC, O-R, VGM- 16, SR, ADR, ACC- KP- PS)

### MODULES:

- 1) CA64 ( PP, OPS- OC, OPS-R, OPS- ROC, EPS, O-OC, O-ROC, O-R, VGM- 16, SR, ADR, ACC-KP-PS) + 4 x CA64E ( CA10E, SM, MST1)
- 2) CA64 ( PP, OPS-OC, OPS-R, OPS-ROC) + CA64 ( EPS, O-OC, O-ROC, O-R, VGM16, SR, ADR, ACC- KP- PS) + 3 x CA64E ( CA10E, SM, MST1)
- 3) 2 x CA64 ( EPS, O-OC, O-ROC, O-R, VGM- 16, SR, ADR, ACC- KP-PS) + 3 x CA64E ( CA10E, SM, MST1)

## DANE TECHNICZNE

<b>External dimensions of the enclosure:</b>	W=320, H=400, D+D1=90+8 [±2 mm]
<b>External dimensions of the front panel:</b>	W1=325, H1=405 [±2 mm]
<b>Weight net/gross:</b>	2,40kg / 2,60kg [±0,1kg]
<b>Battery space:</b>	17Ah/12V Sealed Lead Acid (SLA)
<b>Transformer:</b>	without transformer - can be mounted in the casing: EI20, EI40, TRP20, TRP40, TRP50, TRP80, TRZ20, TRZ40, TRZ50, TRZ60, TRZ80, TOR50, TOR80, TOR100, TOR150.
<b>Tamper protection:</b>	1 x microswitch: opening, 0,5A@50V/DC max. NC
<b>Material description:</b>	sheet steel DC01, thickness: 0,7mm, protection anticorrosion, color: RAL 9003
<b>Destination:</b>	indoor
<b>Closing:</b>	screwed x 4
<b>Notes:</b>	optional: lockable, distance from wall (mounting surface) - 8mm, easy door removal
<b>Declaration, warranty:</b>	CE, 2 year from the production date