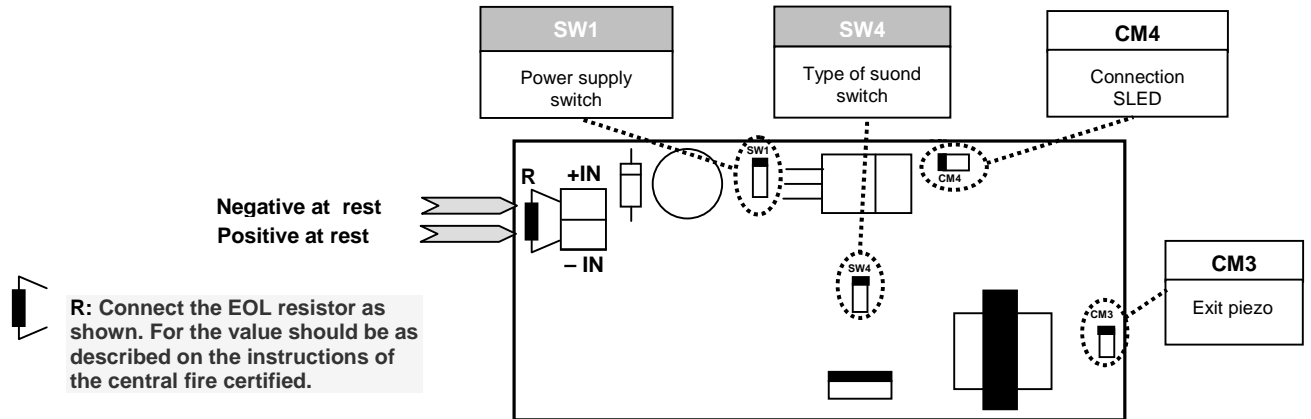


1- LAYOUT AND SETTINGS



1.1 JUMPERS FUNCTION

To select the type of function considered keep to the instruction below.

	OPEN	CLOSED
SW1	For power supply $\geq 10V$ —	For power supply $< 10V$ —
SW4	Sound swap of frequency	Sound fixed

2- INSTALLATION

To remove the cover from the base pressure should be applied on the side ③.

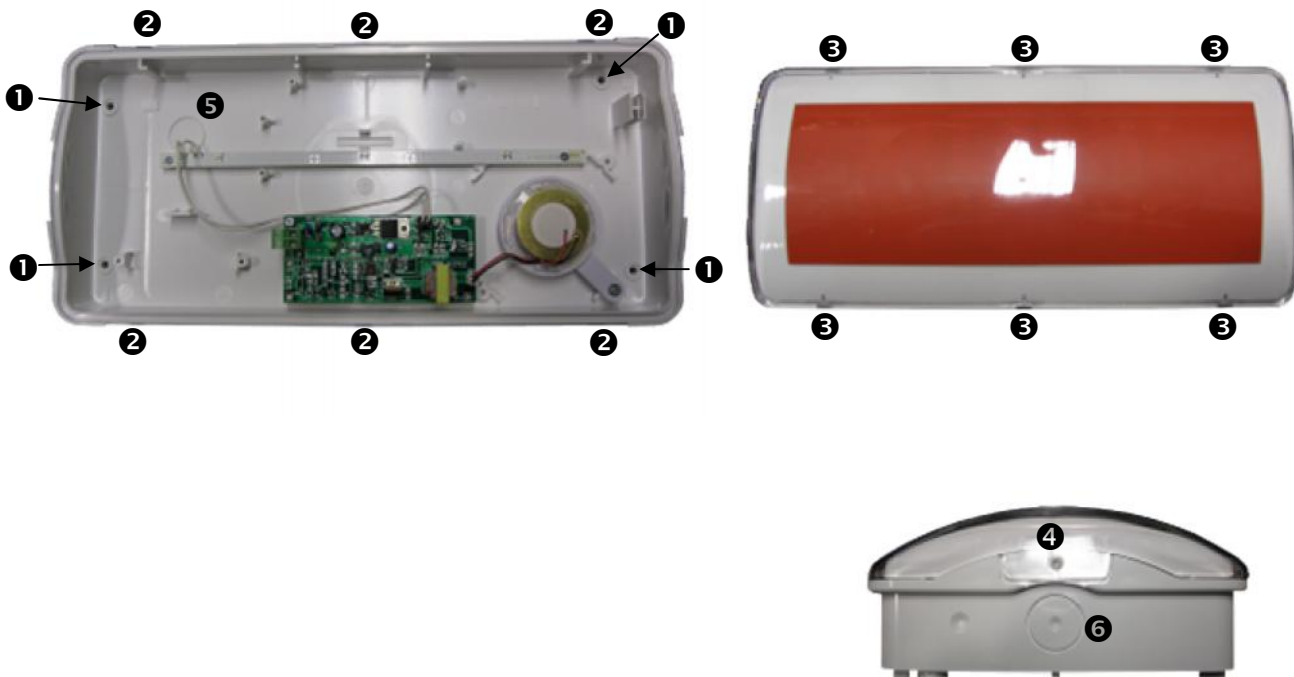
Fixing the base to the wall is done by using the quarries passers indicated in the drawing below (point ①).

The cover is fixed to the base with the slots (points ② e ③).

The lid is locked to the base by tightening the two screws 2.6 x 10 in correspondence of the holes of the points ④).

The cable entry can be done either at the rear ⑤ that at the side ⑥; in this latest case are arranged recesses for fixing:

- Cable gland $\varnothing 20mm$ IP65 (Brand TEAFLEX code RSM20).
- Cable gland PG 13,5 IP65 (Brand TEAFLEX code PTE13G).



3- ACTIVATION

The activation of the fire alarm sounding device is done applying the positive power and negative power to its terminals "+IN " and "- IN", while in the rest condition is applied to clamp the reverse voltage. In the case where the central unit goes into alarm will reverse the inverting output activating the fire alarm sounding device.

In the condition of cutting of the power cable the central will recognize the change of state of the line thanks to the fact that will not read more the resistance value "R" end of line indicated at point 1 "layout and settings" and will in turn in alarm but without causing the activation of the fire alarm sounding device.

4- TECHNICAL FEATURES **MADE IN ITALY**

REFERNCE REGULATION	EN54-3: 2001 + A1:2002 + A2: 2006
TYPE OF FUNCTION	Reverse polarity
POWER SUPPLY	From 10,8V to 28Vd.c.
NOMINAL POWER	24Vd.c.
CONSUMPTION	110mA MAX
POWER	2,64W @ 24Vd.c.
SOUND PRESSURE SOUND SWAP (SW4 open)	87dB (A) a 1m
SUOND PRESSURE SOUND FIXED (SW4 closed)	81dB (A) a 1m
SUOND FREQUENCY SUOND SWAP (SW4 open)	From 2450 to 4500Hz
SOUND FREQUENCY SUOND FIXED (SW4 closed)	3050Hz
TYPE OF LIGHTING	N.3 high luminosity leds
TYPE OF AMBIENT	Type A – internal –
AMBIENT WORKING CONDITION	From – 10 to +55°C
INPUT PROTECTION	IP21C
TYPE OF MATERIAL	Base and cover ABS Transparent polycarbonate panel
DIMENSIONS	320 x 140 x 68mm (L x H x P)
WEIGHT	450g

CERTIFICATION DOA FJ/CPD 12 0051-CPD-0384

5- MAINTENANCE

To ensure a correct functioning over time is recommended once a year the activation of the fire alarm sounding device and a verification to the correct fixing of the same to the wall.

6- WARRANTY

AVOTEC products are guaranteed against defects in workmanship or materials for a period of 2 years. The warranty is void if repair or adjustment is made by people UNAUTHORIZED. In order to improve the design and quality of the products, the company AVOTEC reserves the right to change the technical features without prior notice. All products or defect must be returned to your supplier.

7- COPYRIGHT

Purchase made by the customer, is the recognition of all industrial property rights belonging to AVOTEC Srl, the customer acknowledges fall to AVOTEC Srl patents of industrial property indicated whether or not the goods and the packaging and brands used for the goods. In no case may the client, except with express written consent of AVOTEC Srl and pain of liability for consequential damages to publish, transmit, deliver, distribute or reproduce to third parties in any format, any data and / or information in general (eg, software, codes, databases, files audio and video of any size, the reproduction of trademarks, technical solutions) delivered with the supply

Vers. 1.0 del 20/01/2015