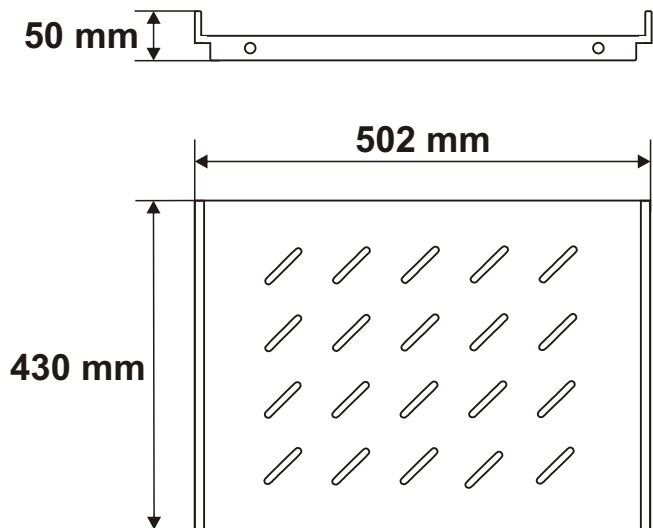
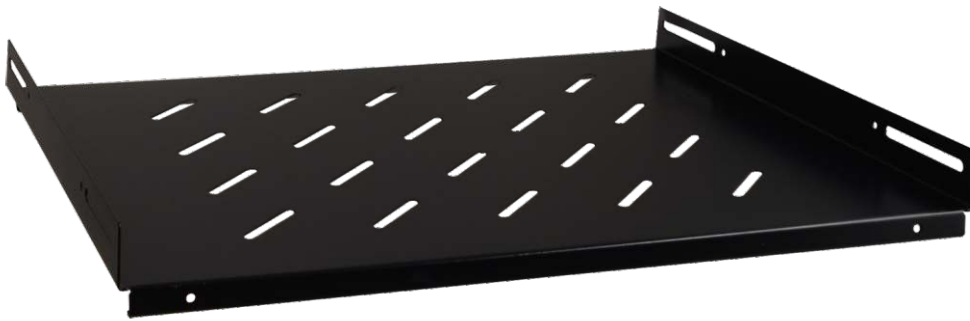


CODE: RAPS600A v1.0/l
 NAME: Fixed shelf 500x430 for RACK cabinet, type RWA

EN



INTENDED USE

The fixed shelf is intended for a 600mm deep RACK cabinet, type: RWA. Due to the shelf, the RACK cabinet can accommodate devices that are not housed in a RACK 19" enclosure

SPECIFICATIONS

External dimensions:	W=502, H=50, D=430 [mm, +/-2]
Dimensions of the shelf:	W=500, D=430 [mm, +/-2]
Net/gross weight:	2,38 / 2,47 [kg]
Materials:	1,2 mm steel sheet, RAL 9004
Static load:	60 kg
Use:	inside
Notes:	- four-point fixing to the side RACK rails - mounting set includes: 4 M6 screws, cage nuts , plastic washers