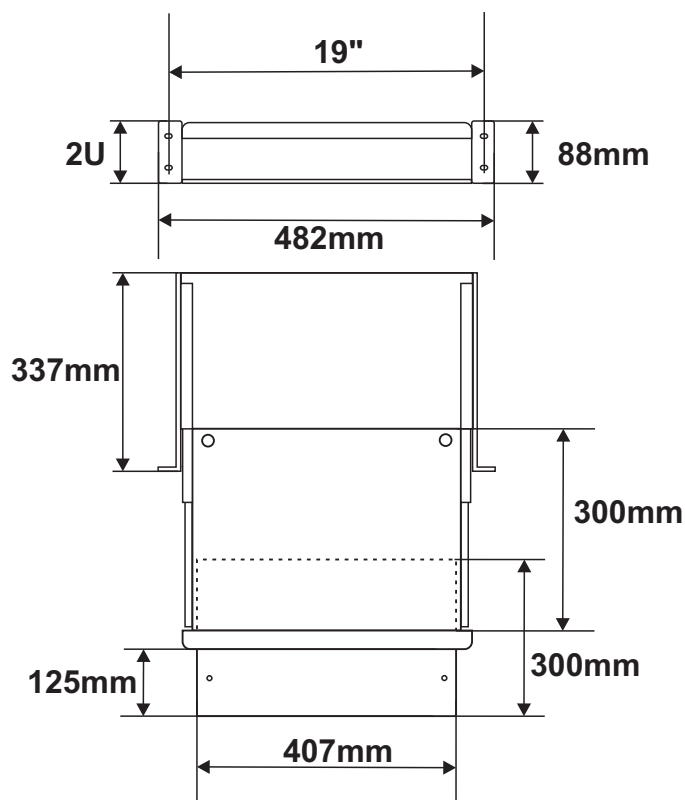


CODE: **RAPW-K v1.0/II**
 NAME: **Sliding keyboard and mouse shelf**

EN



INTENDED USE

The sliding keyboard and mouse shelf is intended for floor standing RACK cabinets that require installing a computer to monitor/configure devices of a given system.

SPECIFICATIONS

External dimensions:	W=482, H=88, D=356 [mm, +/-2]
Mounting dimensions:	W=19", H=2U
Net/gross weight:	7,5 / 8 [kg]
Materials:	1,2 mm cold-rolled steel (SPCC), RAL 9004
Static load:	20 kg
Use:	inside
Notes:	- four-point fixing to the front RACK rails - 4 M6 screws + cage nuts included